



STAR FLEET HANDBOOK

FOREWARD

Greetings, one and all, and welcome back to a classic in STAR TREK fan tech.

The story in brief: back in the mid-1970s, while the STAR TREK animated series was in its heyday and the STAR FLEET TECHNICAL MANUAL still in its first printing, a young man named Geoffery Mandel decided to start his very own TREK fanzine. What made his so different from everyone else's effort is that his was geared towards the technical side of TREK. A sort of follow-up to the TECHNICAL MANUAL, if you will. 13 issues in all were published by Mandel and his friends, and then STAR TREK: THE MOTION PICTURE came out. All of a sudden TREK tech hit the publishing mainstream and the STAR FLEET HANDBOOK was no more. Mandel and his associates took most of what they had, along with unused material for the never-released 14th issue, and published the USS ENTERPRISE OFFICER'S MANUAL. The good old SFH was allowed to die quietly ... or so everyone thought.

Next to the STAR TREK MAPS copies of the old STAR TREK HANDBOOK are among the most eagerly sought items by "hard" TREK tech fans. The first eight volumes are almost impossible to find, for example, save among the most hardcore of "hard" fans. The remaining five show just how good SFH was becoming before SFH died a premature death.

We at the FEDERATION REFERENCE SERIES, with the kind permission of SFH creator Geoffery Mandel himself, are proud to revive the STAR FLEET HANDBOOK fanzine. This completely free publication will give you a look into parts of the original and animated STAR TREK shows that you might not have seen before. In addition, we hope to spotlight some of the best tech material that TOS/TAS has inspired, both past and present, in TREK fandom.

SUBMISSIONS

Submissions are welcome so long as they adhere to the following rules:

- 1) All material must derive directly from
 - a) the original STAR TREK television series (TOS)
 - b) the animated STAR TREK television series (TAS)
 - c) published STAR TREK novels with TOS/TAS as their prime subject
 - d) items mentioned in other STAR TREK efforts that have a direct bearing on TOS/TAS
- 2) All material must be of a "historic" or technical nature. In other words, if you can't draw, then write!
- 3) ABSOLUTELY NO ADULT MATERIAL OF ANY KIND. THIS MEANS YOU!

PUBLISHER'S INFORMATION

STAR FLEET HANDBOOK
created by Geoffery Mandel

revived edition
(c) 2007 Federation Reference Series Online
all rights reserved

original page format based on the efforts of Franz Joseph
as seen in the STAR FLEET TECHNICAL MANUAL
(c) 1975 Ballantine Books, all rights reserved



KLINGON EMPIRE

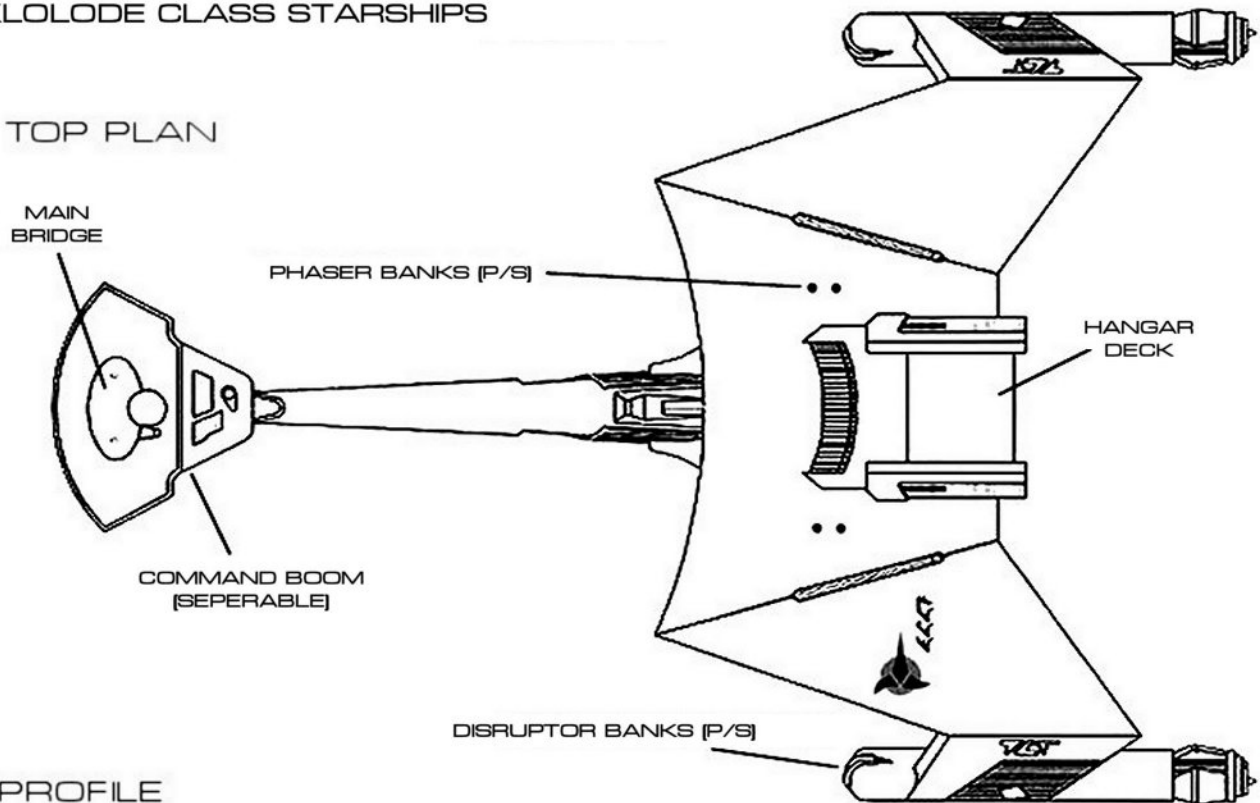
STAR FLEET HANDBOOK

AUTHENTICATED STARDATE: 7612.13

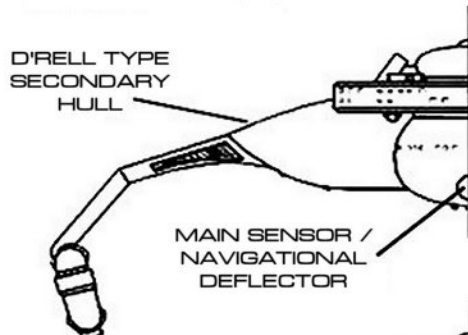
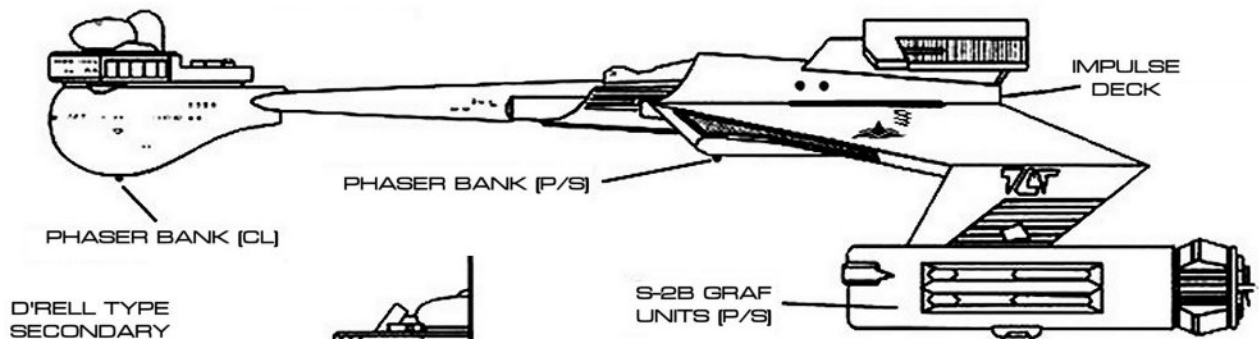
D-7 BATTLECRUISER

KLOLODE CLASS STARSHIPS

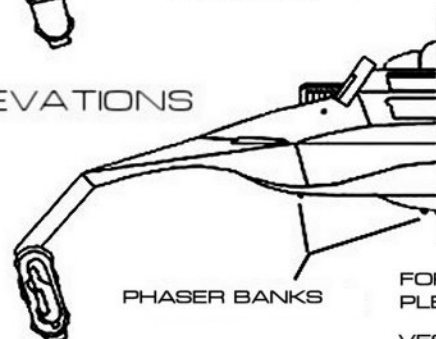
TOP PLAN



PROFILE



ELEVATIONS

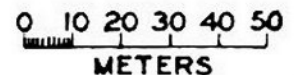


PARTICULARS:

DEADWEIGHT TONNAGE (METRIC): 110,000
 MAXIMUM SAFE CRUISING SPEED: W/F 6
 EMERGENCY SAFE CRUISING SPEED: W/F 7
 PRIMARY ARMAMENT: 9 PHASERS IN 5 BANKS
 SECONDARY ARMAMENT: 2 DISRUPTOR BANKS
 LENGTH OVERALL: 216.4 M
 BEAM OVERALL: 152.4 M
 DRAFT OVERALL: 55.3 M

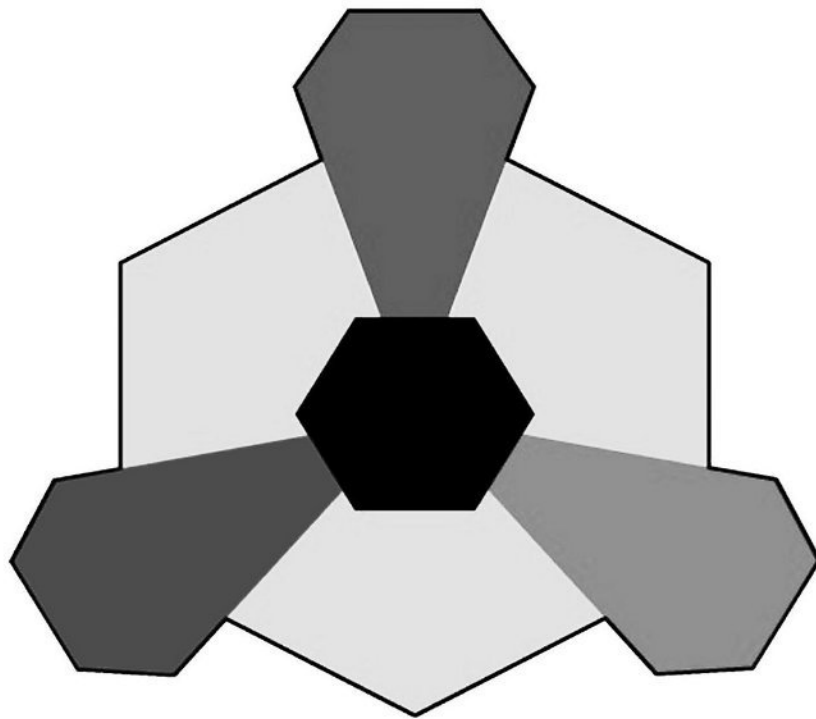
CREW

OFFICERS: 24
 ENLISTED: 430



FOR ADDITIONAL INFORMATION ON KLINGON SHIP CLASSES
 PLEASE CONSULT JACKILL'S KLINGON FLEET REFERENCE MANUAL

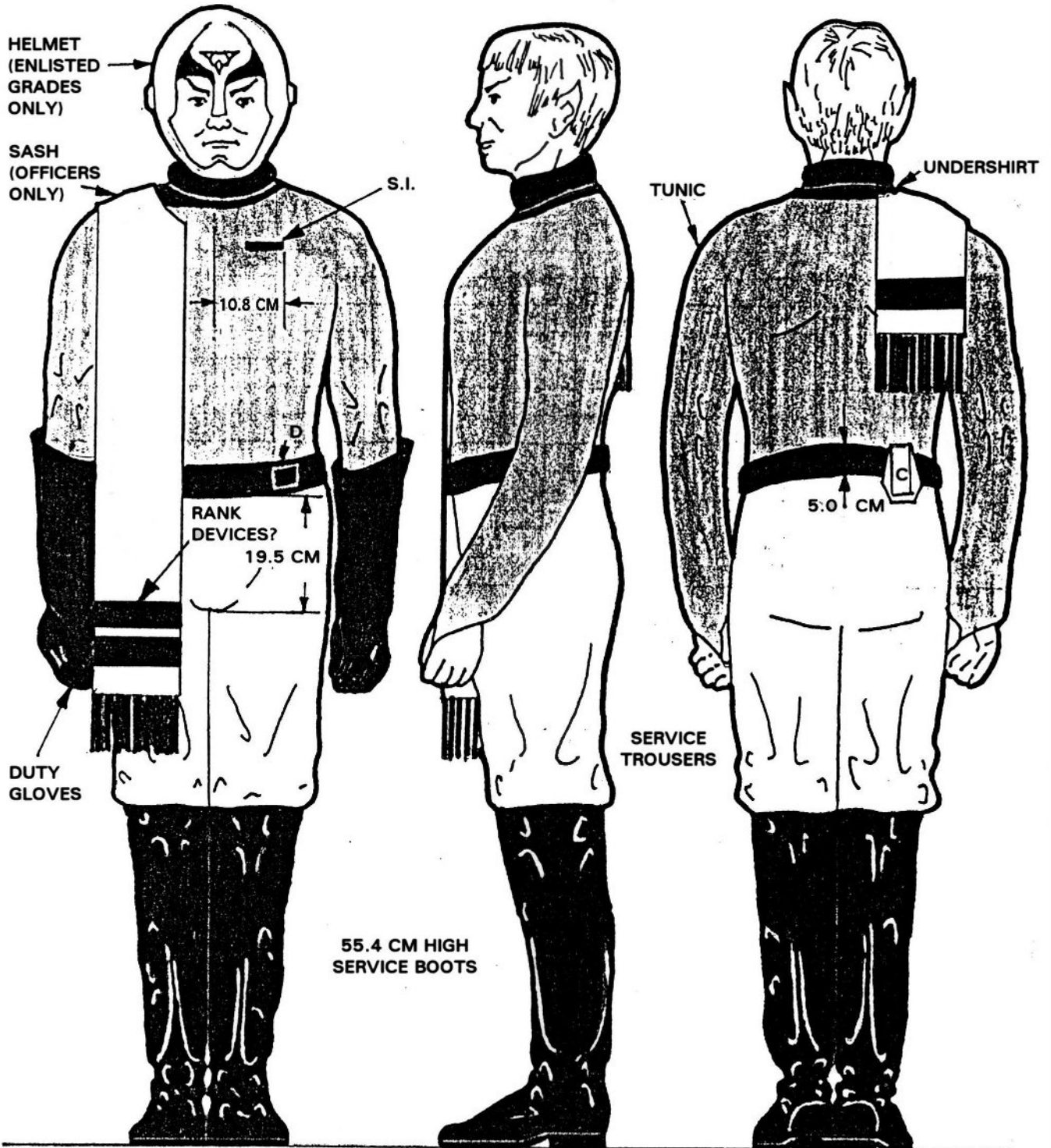
VESSEL SPECIFICATIONS LIMITED BY AVAILABLE INTELLIGENCE



ROMULAN STAR EMPIRE

DUTY UNIFORM - MALE

ROMULAN PRAETORIAN GUARD



COLORS:

	PURPLE	No.SF26UC OFFICERS ONLY
	BLUE	No.SF18UC ENLISTED ONLY
	GOLD	No.SF03UC
	BLACK	No.SF32UC

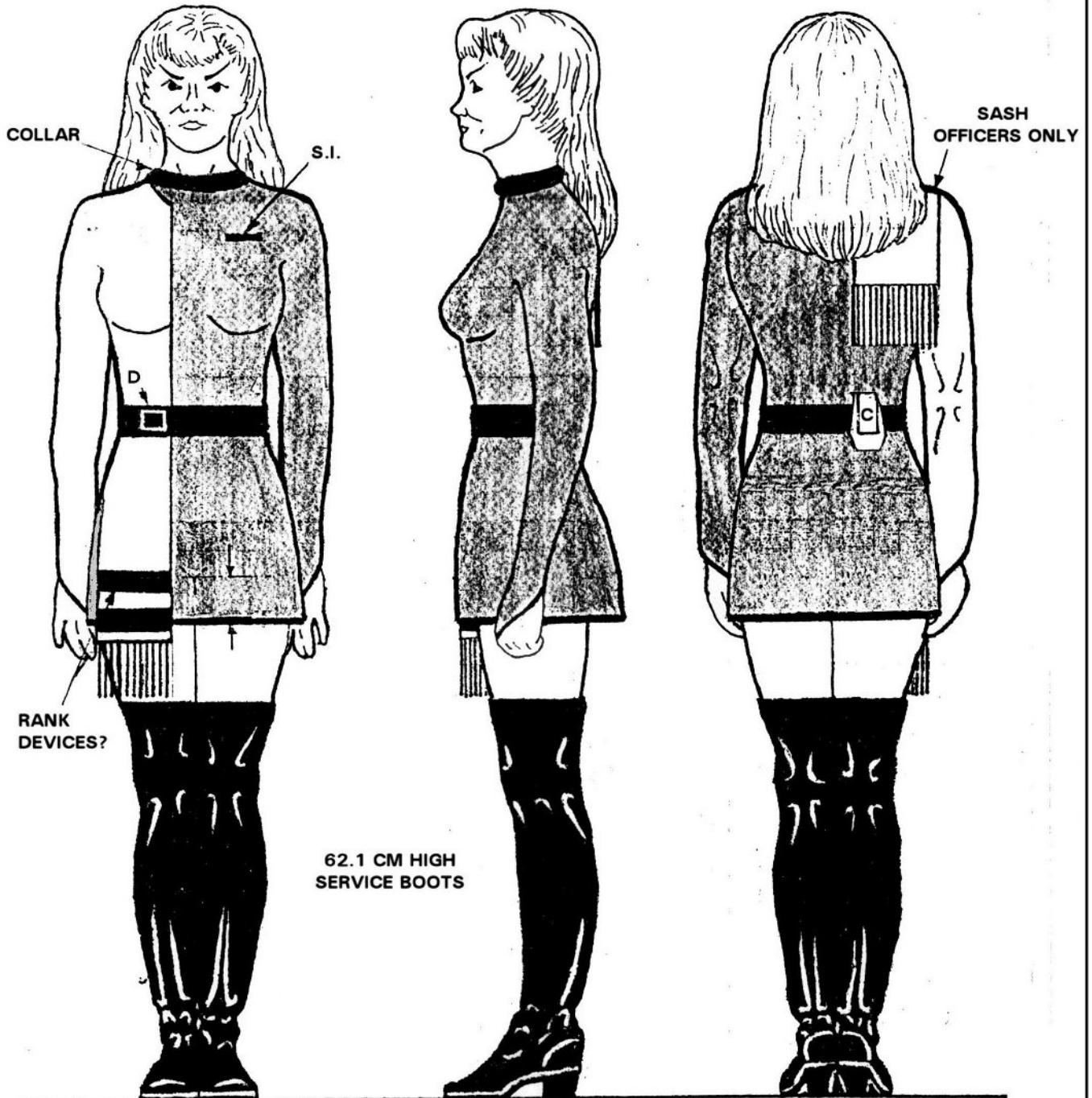
S.I. - STARSHIP INSIGNIA C - COMMUNICATOR
 D - DISRUPTOR PISTOL ADHESION AREA

TUNIC IS WOVEN IN SQUARE PATTERN.
 OFFICER'S SASH IS WOVEN IN TRIANGLE PATTERN.

STAR FLEET HANDBOOK

AUTHENTICATED STARDATE: 7612.13

DUTY UNIFORM - FEMALE
ROMULAN PRAETORIAN GUARD



COLORS:

	PURPLE	No.SF26UC OFFICERS ONLY
	BLUE	No.SF18UC ENLISTED ONLY
	GOLD	No.SF03UC
	BLACK	No.SF32UC

S.I. - STARSHIP INSIGNIA C - COMMUNICATOR
D - DISRUPTOR PISTOL ADHESION AREA

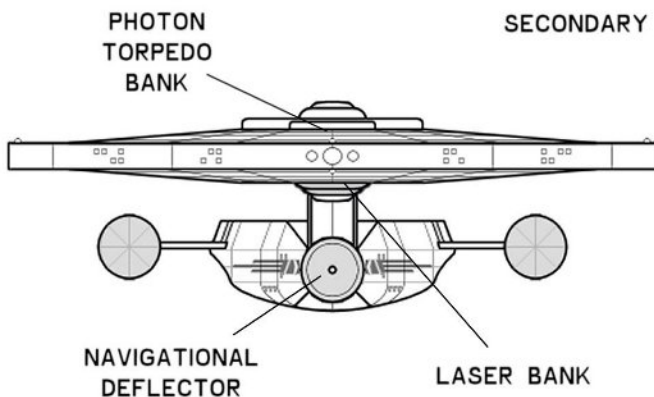
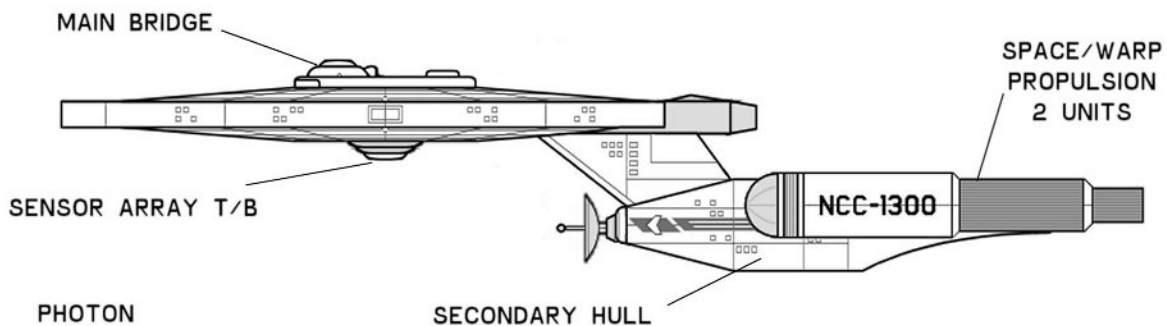
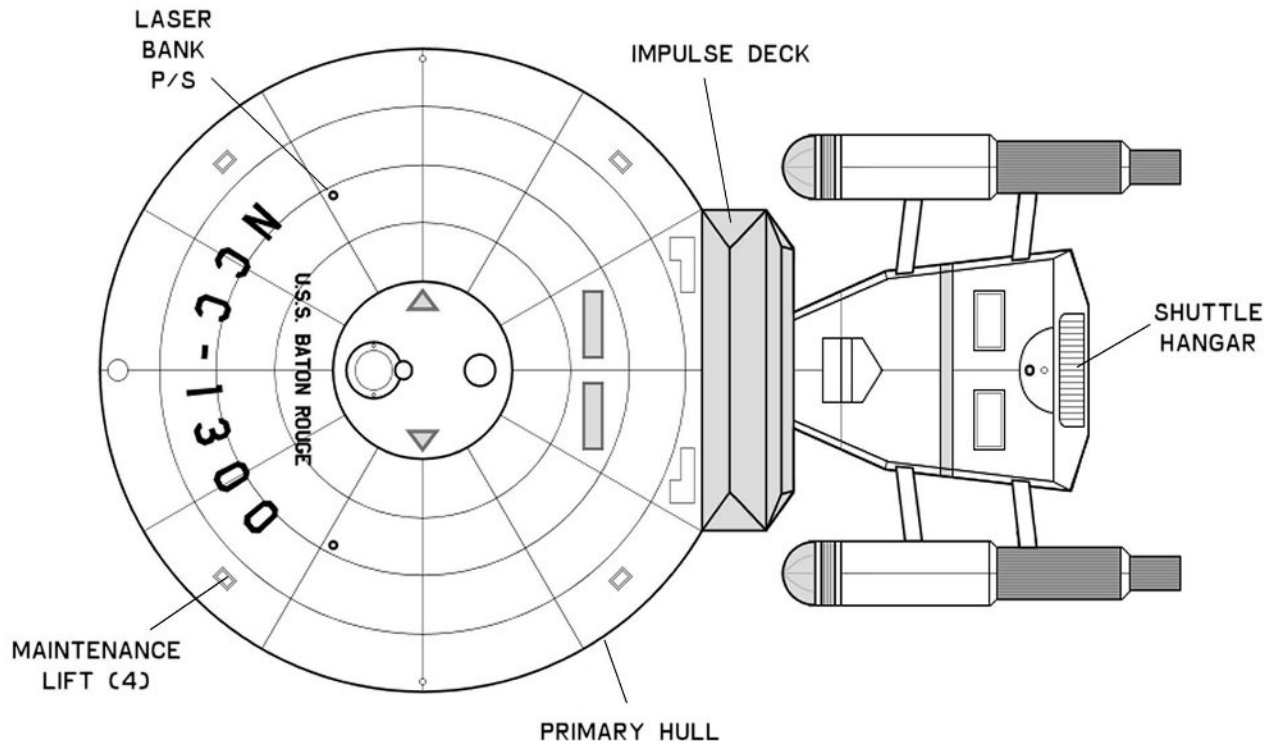
TUNIC IS WOVEN IN SQUARE PATTERN.
OFFICER'S SASH IS WOVEN IN TRIANGLE PATTERN.

STAR FLEET HANDBOOK

AUTHENTICATED STARDATE: 7612.13

CLASS I CRUISER BATON ROUGE CLASS STARSHIPS

DATE AUTHORIZED: 2213
DATE ENTERED SERVICE: 2215
DATE DECOMMISSIONED: N/A



PARTICULARS:

DEADWEIGHT TONNAGE (METRIC) 92,500
STD. RANGE 15 YEARS AT L.Y.V.
MAX. SAFE CRUISING SPEED WARP 4.5
EMERGENCY SPEED WARP 4.8
MAIN ARMAMENT 3 LASER BANKS/1 EACH
PHOTON TORPEDOES 1 BANK
LENGTH OVERALL (METERS) 245
BEAM OVERALL (METERS) 153
DRAFT OVERALL (METERS) 64.6

STD SHIP'S COMPLEMENT:

OFFICERS (COMMAND) 30
CREW (ENLISTED) 155

SEE BOOKLET OF GENERAL PLANS FOR DETAILS

DRIVE SYSTEMS:

WARP DRIVE PEGASYS VX-28/2 UNITS
(NON-DILITHIUM MODERATED)
IMPULSE SCARBAK SAA/4 UNITS

STAR FLEET HANDBOOK

AUTHENTICATED STARDATE: 7612.13

CLASS I CRUISER

BATON ROUGE CLASS STARSHIPS

THE FOLLOWING SHIPS OF THE BATON ROUGE CLASS WERE AUTHORIZED FOR CONSTRUCTION BY STAR FLEET AS OF TERRAN CALENDAR YEAR 2213:

BATON ROUGE - NCC-1300**	LOS ANGELES - NCC-1304+	SAVANNAH - NCC-1307+
MOSCOW - NCC-1301+	YAMATO - NCC-1305**	TEHRAN - NCC-1308+
PEKING - NCC-1302+	HOKKAIDO - NCC-1306+	PETERSBURG - NCC-1309+
BRITANIA - NCC-1303**		

THE FOLLOWING SHIPS OF THE BATON ROUGE CLASS WERE AUTHORIZED FOR CONSTRUCTION BY STAR FLEET AS OF TERRAN CALENDAR YEAR 2218:

MARSEILLES - NCC-1360+	TIPTON - NCC-1365+	COMMONWEALTH - NCC-1370+
DEVONSHIRE - NCC-1361+	ARCADIA - NCC-1366+	REPUBLIC - NCC-1371#
SYDNEY - NCC-1362*	TRIPOLI - NCC-1367	DEMOCRACY - NCC-1372+
VLADIVOSTOK - NCC-1363	UNION - NCC-1368+	LIBERTY - NCC-1373
CAIRO - NCC-1364**	LAFAYETTE - NCC-1369	CHAUNCEY - NCC-1374

* CLASS SHIP ** LOST IN THE LINE OF DUTY + TRANSFERRED TO FLEET RESERVE

ALL NAMES PRECEDED BY "U.S.S." (UNITED STAR SHIP)

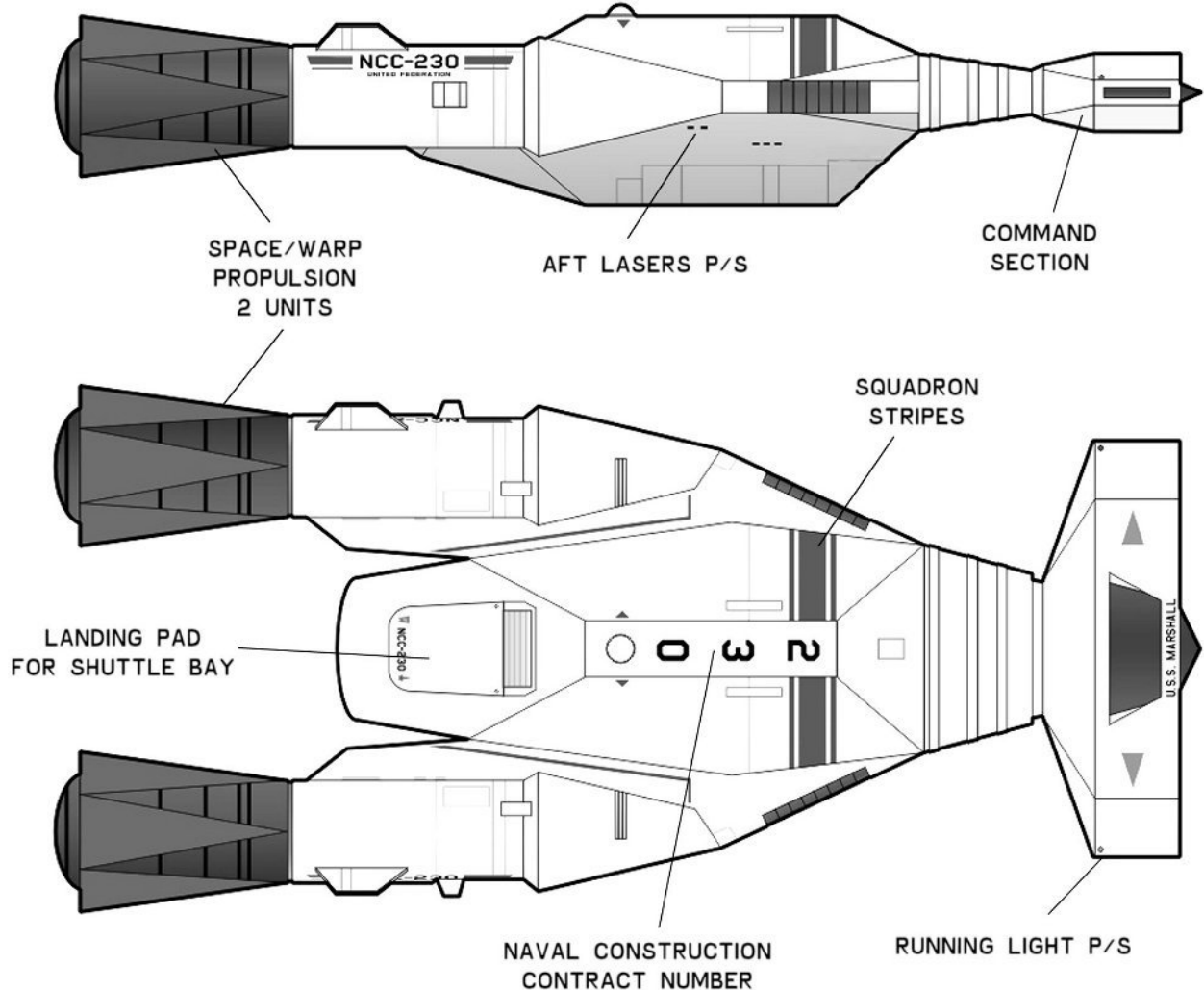
STAR FLEET HANDBOOK

AUTHENTICATED STARDATE: 7612.13

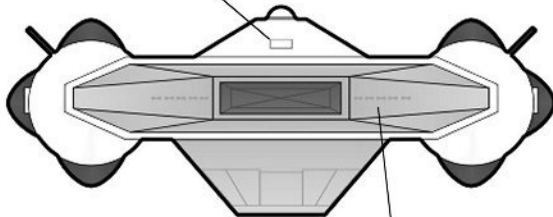
DESTROYER MARSHALL CLASS STARSHIPS

DATE AUTHORIZED: 2155
DATE ENTERED SERVICE: 2157
DATE DECOMMISSIONED: 2217

THIS TECHNICAL ORDER IS PROVIDED FOR HISTORICAL REFERENCE PURPOSES ONLY



PHOTON TORPEDOES (F/A)



FORE LASERS P/S

PARTICULARS:

DEADWEIGHT TONNAGE (METRIC) 22,700
 STD. RANGE 10 YEARS AT L.Y.V.
 MAX. SAFE CRUISING SPEED WARP 3.5
 EMERGENCY SPEED WARP 3.8
 MAIN ARMAMENT 22 LASER BANKS
 (22 FORWARD/8 REAR)
 SEC. ARMAMENT 10 PARTICLE CANNON
 (8 FORWARD/2 REAR)
 PHOTON TORPEDOES 2 BANKS
 LENGTH OVERALL (METERS) 225
 BEAM OVERALL (METERS) 117
 DRAFT OVERALL (METERS) 45.5

STD SHIP'S COMPLEMENT:

OFFICERS (COMMAND) 12
 CREW (ENLISTED) 145

SEE BOOKLET OF GENERAL PLANS FOR DETAILS

DRIVE SYSTEMS:

WARP DRIVE WESTINGHOUSE SEMT/2 UNITS
 ("EVEREST" SPIKED M/AM COIL SYSTEM)
 IMPULSE WESTINGHOUSE SSB/2 UNITS

STAR FLEET HANDBOOK

AUTHENTICATED STARDATE: 7612.13

DESTROYER

MARSHALL CLASS STARSHIPS

THIS TECHNICAL ORDER IS PROVIDED FOR HISTORICAL REFERENCE PURPOSES ONLY

THE FOLOWING SHIPS OF THE FIRST BUILD GROUP OF THE MARSHALL CLASS WERE AUTHORIZED FOR CONSTRUCTION BY STAR FLEET AS OF TERRAN CALENDAR YEAR 2257:

MARSHALL - NCC-D230	ROMMEL - NCC-D239	CHUIKOV - NCC-D247**
EISENHOWER - NCC-D231	MONTGOMERY - NCC-D240	KONEV - NCC-D248**
BRADLEY - NCC-D232**	ALEXANDER - NCC-D241**	TOGO - NCC-D249**
MCAULIFFE - NCC-D233**	GORT - NCC-D242**	YI SUN - NCC-D250**
STEWART - NCC-D234**	WAVELL - NCC-D243**	YAMAMOTO - NCC-D252**
GUERIDAN - NCC-D235	DEGAULLE - NCC-D244	HIDEYOSHI - NCC-D253**
DOENITZ - NCC-D236**	ZHUKOV - NCC-D245**	KAISHEK - NCC-D254
MODEL - NCC-D237	ROKOSSOVSKI - NCC-D246**	ZHENG HE - NCC-D255
KESSELRING - NCC-D238**	CHUIKOV - NCC-D247**	

ALSO WORTHY OF NOTE:

HANNIBAL - NCC-D412

260 VESSELS OF THE MARSHALL, UPRATED MARSHALL (MARSHALL-B), AND PATTON (MARSHALL-C) CLASSES WERE BUILT BETWEEN 2217 AND 2290.

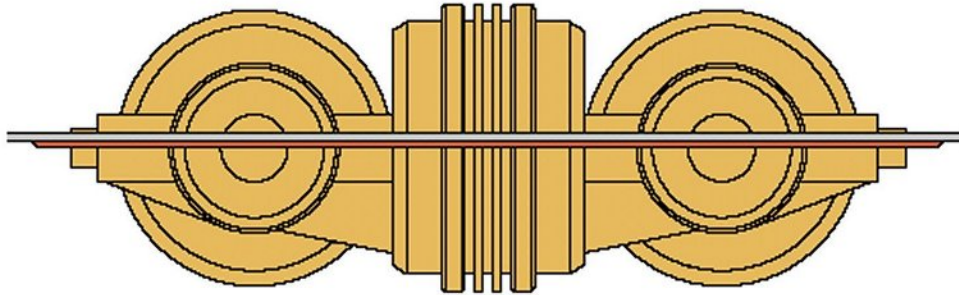
* CLASS SHIP ** LOST IN THE LINE OF DUTY + TRANSFERRED TO FLEET RESERVE

ALL NAMES PRECEDED BY "U.S.S." (UNITED STAR SHIP)

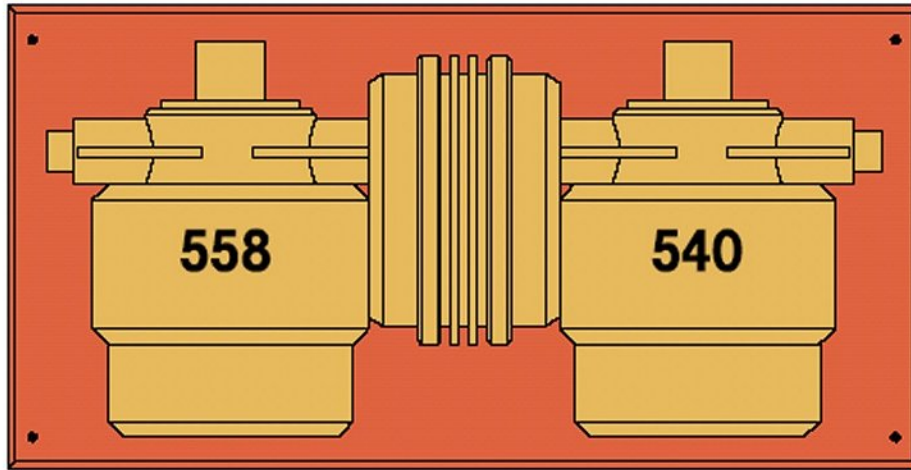
TRANSFER VALVE

VALVES 558 & 540

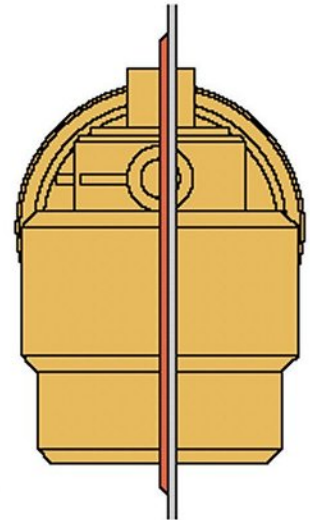
DECK: 4
HALLWAY: 3
SECTION: 2



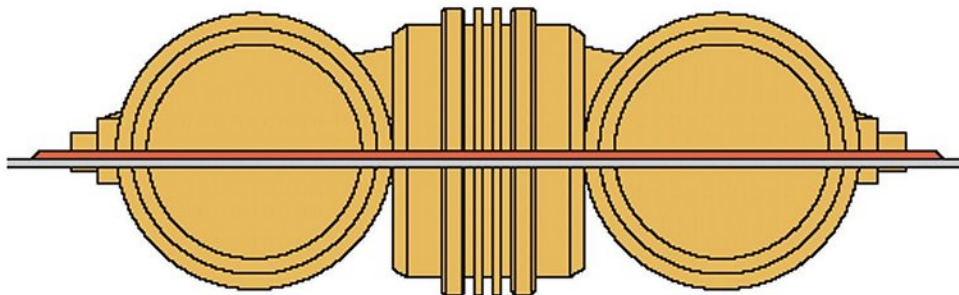
TOP VIEW



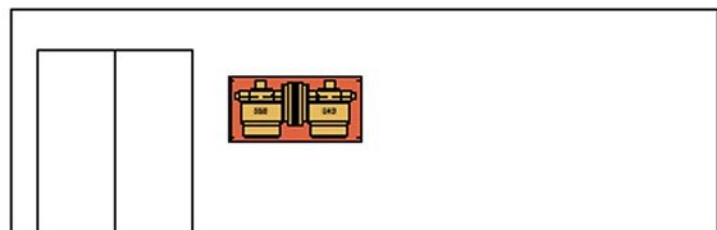
FRONT VIEW



SIDE VIEW



BOTTOM VIEW



SEE BOOKLET OF GENERAL PLANS FOR DETAILS

LANDING PARTY EQUIPMENT

STAR FLEET STANDARD



TYPE II HAND PHASER
AGRONSKA 30 SERIES



TYPE I PHASER
AGRONSKA 30 SERIES



TRICORDER
STANDARD VERSION



TRICORDER
LIFE SCIENCES VERSION

SULU

HIKARU ITAKA



LT. COMMANDER

SERIAL NUMBER: CHC 173-950

OFFICIAL POSITION: CHIEF HELMSMAN

CURRENT ASSIGNMENT: U.S.S. ENTERPRISE
STARSHIP CLASS
NCC-1701

NATURE AND DURATION OF MISSION:
GALAXY EXPLORATION AND INVESTIGATION:
5 YEARS

COMMENDATIONS: LEGION OF HONOR
DECORATED TWICE BY STAR FLEET ORDNANCE DIVISION

AGE: 35

NATIONALITY: TERRAN

PLACE OF BIRTH: TOKYO - JAPAN - EARTH

DATE OF BIRTH: STARDATE 1278.4 (OLD CALENDAR--24 JUNE 2230)

HISTORY: ENTERED STAR FLEET ACADEMY AT AGE 17, MAJORED IN SPATIAL NAVIGATION. UPON GRADUATION IN 2250, ENROLLED IN THE TUFTS COLLEGE OF MILITARY SCIENCE, WHERE HE SPECIALIZED IN ASTROPHYSICS AND TACTICAL WEAPONRY. DEGREE CONFERRED IN 2254. AT AGE 25, PLACED ABOARD HEAVY CRUISER U.S.S. ESSEX AS RELIEF HELMSMAN WITH THE RANK OF LIEUTENANT JUNIOR GRADE. LEFT STAR FLEET IN 2256 FOR A POSITION AS CHIEF OF DEVELOPMENT OF DAYSTROM DUOTRONICS CORPORATION. RETURNED TO STAR FLEET AT AGE 31, PLACED ABOARD U.S.S. ENTERPRISE AS CHIEF ASTROPHYSICIST WITH THE RANK OF LIEUTENANT SENIOR GRADE. REPLACED LT. LEE KELSO AS SENIOR HELMSMAN ON STARDATE 1313, PROMOTED TO CHIEF HELMSMAN WITH THE RANK OF LIEUTENANT COMMANDER ON STARDATE 7318. SULU'S EXPERTISE WITH WEAPONS IS ALMOST UNPARALLELED WITHIN STAR FLEET, AND HIS EXCELLENT MARKSMANSHIP HAS SAVED THE ENTERPRISE ON NUMEROUS OCCASIONS. ALONG WITH THE ENTERPRISE'S SCIENCE OFFICER, HE WAS RESPONSIBLE FOR THE DEVELOPMENT OF THE ROMULAN PLASMA WEAPON INTO STANDARD PHOTON TORPEDOES.

PERSONAL: UNMARRIED. HIS MOTHER AND FATHER ARE BOTH LIVING IN SUPRA-TOKYO ON EARTH. NO SIBLINGS, DUE TO JAPANESE POPULATION CONTROL LAWS. SULU'S ANCESTRY IS A MISTURE OF JAPANESE, FILIPINO AND AMERICANGLO, ALTHOUGH HIS PHILOSOPHY AND OUTLOOK ON LIFE IS LARGELY DRAWN FROM THAT OF THE SAMURAI OF FEUDAL JAPAN. HE HAS HAD MANY SHORT-TERM HOBBIES, BUT HIS CONSISTENTS INTERESTS HAVE INCLUDED BOTANY, FENCING, MARTIAL ARTS AND ANCIENT WEAPONRY. HE IS AN EXPERT IN KATANA-TO-ASHI, THE MODERN MARTIAL ART WHICH COMBINES ANCIENT TERRO-EUROPEAN FENCING WITH KARATE. SULU WAS CAPTAIN OF THE ACADEMY FENCING TEAM THREE YEARS RUNNING.

MEDICAL: RECEIVED A SEVERE CASE OF FROSTBITE ON THE PLANET ALFA 177 (STARDATE 1672). CONTRACTED PSI 2000 VIRUS WHILE ORBITING THAT PLANET, AND ACCOSTED SEVERAL CREWMEMBERS WITH A FENCING FOIL BEFORE RECOVERING (1704). A BRIEF EXPOSURE TO A SPORIAL LIFE-FORM ON OMICRON CETI III

RESULTED IN THE DISAPPEARANCE OF A LARGE SCAR FROM THE SIDE OF HIS FACE (THE SCAR, NORMALLY HIDDEN BY COSMETICS, WAS CAUSED BY A MISHAP IN AN ACADEMY FENCING BOUT). BITTEN BY A RETLAW PLANT ON THE PLANET PHYLOS, AND WAS CURED BY ONE OF THE INHABITANTS (5554). FRACTURED HIS RIGHT LEG WHILE IN A MINIATURIZED STATE FROM EXPOSURE TO EPSILON RADIATION 95577). SUFFERED FROM DRAMEN AURORAL PLAGUE (5276), AND RIGELLIAN FEVER (5843).

PHYSICAL DATA:

WEIGHT--69 KILOS
HEIGHT--175 CM
HAIR--BLACK
EYES--BROWN

UHURA

UPENDA NYOTA



LT. COMMANDER

SERIAL NUMBER: CCE 540-621

OFFICIAL POSITION: CHIEF OF COMMUNICATIONS

CURRENT ASSIGNMENT: U.S.S. ENTERPRISE
STARSHIP CLASS
NCC-1701

NATURE AND DURATION OF MISSION:
GALAXY EXPLORATION AND INVESTIGATION:
5 YEARS

COMMENDATIONS: DECORATED BY STAR FLEET COMMUNICATIONS DIVISION

AGE: 32

NATIONALITY: TERRAN

PLACE OF BIRTH: KITUI PROVINCE - KENYA - EARTH

DATE OF BIRTH: STARDATE 1281.2 (OLD CALENDAR--19 JANUARY 2233)

HISTORY: EDUCATED AT THE UNIVERSITY OF KENYA, MAJORED IN COMMUNICATIONS WITH MINORS IN INTERSTELLAR RELATIONS AND AFRICAN LITERATURE. RECEIVED HER DEGREE AT AGE 22, AND APPLIED TO THE STAR FLEET COLLEGE OF COMMUNICATIONS IN 2256. STUDIED SPATIAL NAVIGATION, DUOTRONICS, AND CRYPTOGRAPHY UNDER LT. CMDR. BENJAMIN FINNEY. FOLLOWING HER GRADUATION (SUMMA CUM LAUDE) THREE YEARS LATER, PLACED ABOARD DESTROYER U.S.S. AHRIMAN AS JUNIOR COMMUNICATIONS OFFICER WITH THE RANK OF LIEUTENANT JUNIOR GRADE. PROMOTED TO FULL LIEUTENANT IN 2260 AFTER SUCCESSFULLY DECIPHERING A ROMULAN MICROPULSE CODE DURING A BORDER SKIRMISH. ASSIGNED TO HEAVY CRUISER U.S.S. ENTERPRISE AS ASSISTANT RECORDS OFFICER AT THE REQUEST OF CMDR. FINNEY. TRANSFERRED TO COMMUNICATIONS DIVISION ON STARDATE 1514, FOLLOWING THE PROMOTION OF LT. CMDR. ALDEN TO CHIEF OF COMMUNICATIONS. PROMOTED TO LT. COMMANDER AND CHIEF OF COMMUNICATIONS ON STARDATE 7318.

PERSONAL: UNMARRIED. FATHER, ALHAMISI, AND MOTHER, M'UMBHA, ARE BOTH LIVING ON EARTH. SHE HAS ONE BROTHER, DAVID, WHO IS A DOCTOR AT MAKERE UNIVERSITY IN KAMPALA. SHE IS AN ACCOMPLISHED SINGER, AND PLAYS MANY MUSICAL INSTRUMENTS, INCLUDING THE VULCAN LYRETTE AND THE EDOAN SESSICA. SHE HAS A STRONG INTEREST IN ANCIENT BALLADS AND OTHER ETHNO-MUSICAL WORKS, AS WELL AS THE USE OF MUSIC AS A MEANS OF COMMUNICATION BETWEEN RACES. SHE HOLDS AN A-11 COMPUTER EXPERT CLASSIFICATION.

IN HER NATIVE SWAHILI, HER FIRST NAME, UPENDA, MEANS "LOVE," AND HER LAST NAME, UHURU, MEANS "FREEDOM."

MEDICAL: UHURA IS IN EXCELLENT MENTAL AND PHYSICAL HEALTH. SHE FENCES REGULARLY IN THE SHIP'S GYMNASIUM, AND HOLDS THE RECORD FOR THE HUNDRED-METER DASH IN THE PAN-AFRICAN GAMES. SHE SUFFERED FROM SEVERE FROSTBITE WHEN AN ENVIRONMENTAL COMPUTER MALFUNCTIONED (STARDATE

3183), AS WELL AS FROM MINOR LACERATIONS ON THE PLANET TRISKELION (3211). RECEIVED PROLONGED EXPOSURE TO EPSILON RADIATION (5577), THE LONG-TERM EFFECTS OF WHICH ARE UNCERTAIN. UNDERWENT SEVERE BUT TEMPORARY PSYCHOLOGICAL TRAUMA DURING THE APPARENT DEATH OF CAPT. JAMES KIRK (5693). CONTRACTED DRAMEN AURORAL PLAGUE (5276), AND RIGELLIAN FEVER (5843).

PHYSICAL DATA:

WEIGHT--55 KILOS

HEIGHT--161 CM

HAIR--BLACK

EYES--BROWN

